

Figure 1. Test manifold developed to simulate ALD conditions and recipes.

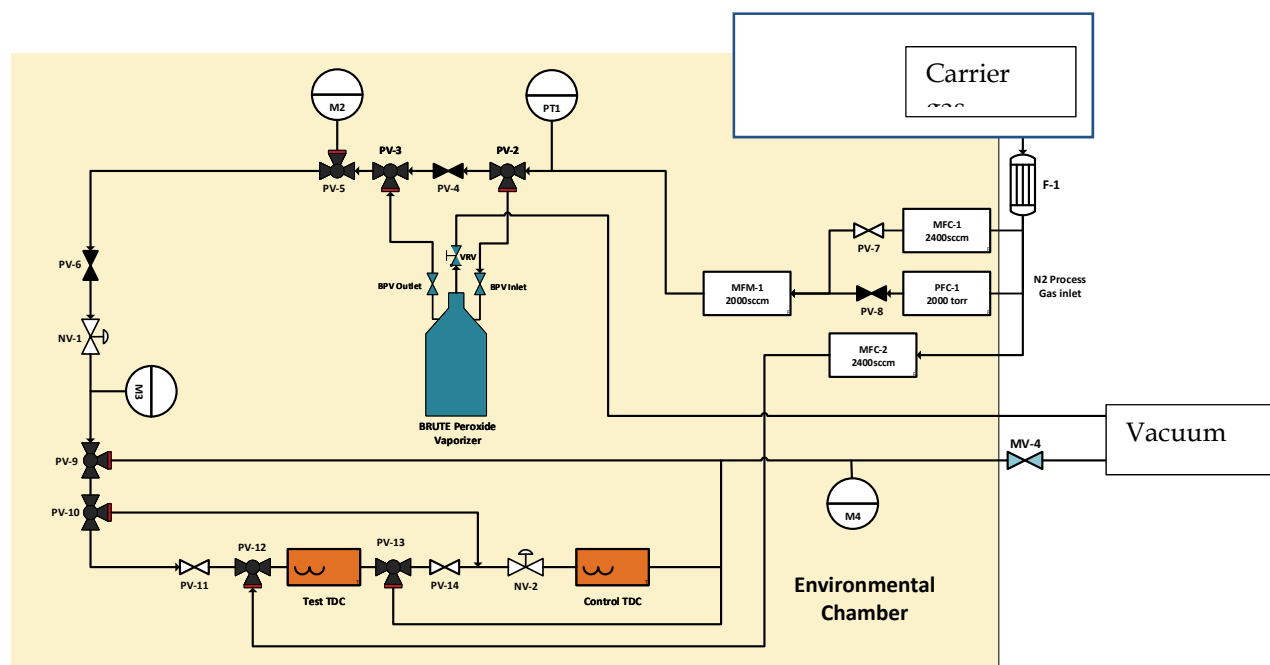


Figure 2. Mass flowrate vs Temperature for H<sub>2</sub>O<sub>2</sub> at 75 and 100 torr.

