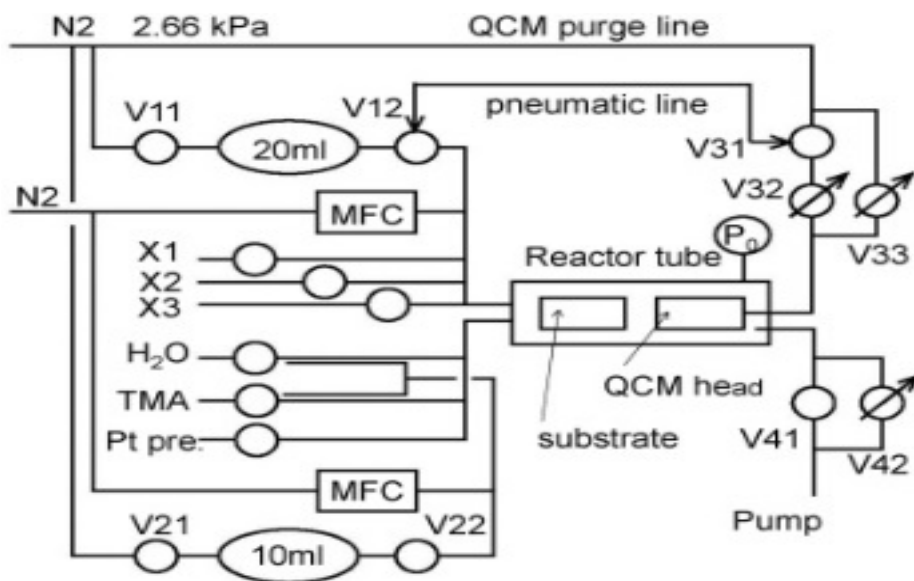


QCM transient with synchronous back purge



Multi element ALD with synchronous back purge